

# Installation Guide

## IBDN GigaBIX Cross-Connect System

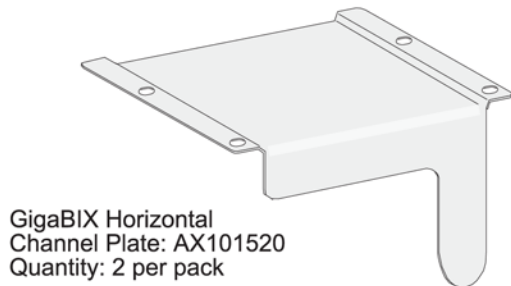
Doc # PX101878 Version A

# GigaBIX

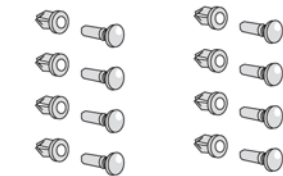
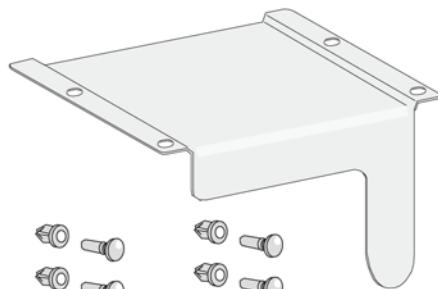
1 of 2 pages

### GigaBIX Horizontal Channel Plates

#### Basic Components



GigaBIX Horizontal Channel Plate: AX101520  
Quantity: 2 per pack



Push-In Fasteners:  
Quantity: 8 (when assembled)

#### Related Documents

Refer to the documents below for standardized GigaBIX installation methods:

GigaBIX Termination Kit, 72 Port: - Doc # PX101814

GigaBIX Termination Kit, 300 Pair: - Doc # PX101821

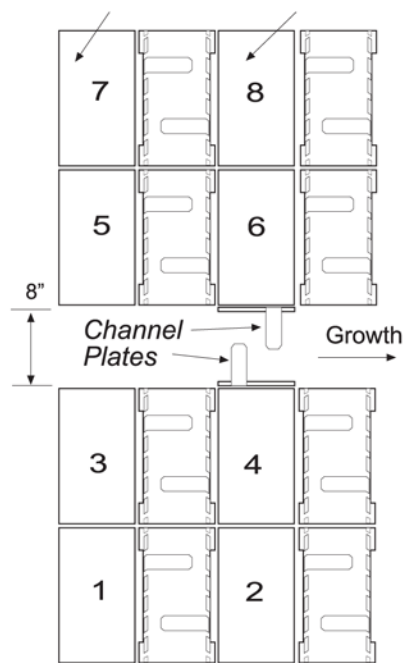
GigaBIX Patch Cord Organizers: - Doc # PX101877

GigaBIX Cable Management Modules: - Doc # PX101798

BIX Wall Mount:  
- I.G. # NOT 0331

#### Typical Patch Cord Layout

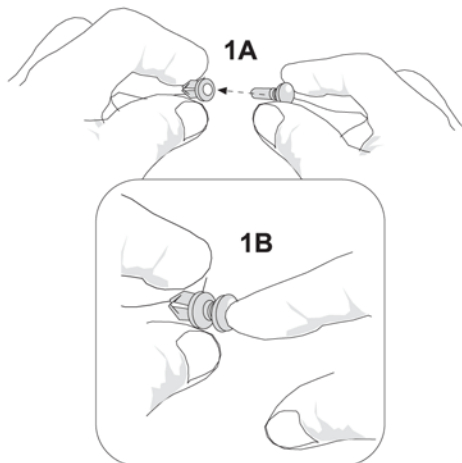
Distribution Field    Equipment Field



#### 1. Assembling Push-In Fasteners

**1A.** Select fastener pin and bushing components.

**1B.** Insert and press the pin **half the distance** into the bushing.



#### 2. Positioning GigaBIX Horizontal Channel Plates

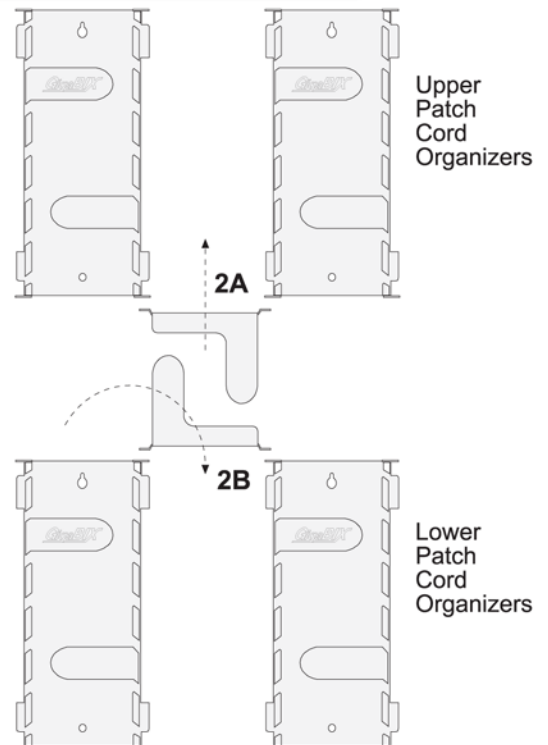
GigaBIX Horizontal Channel Plates provide horizontal routing and containment for patch cord groups.

Plates are installed between adjacent GigaBIX Patch Cord Organizers.

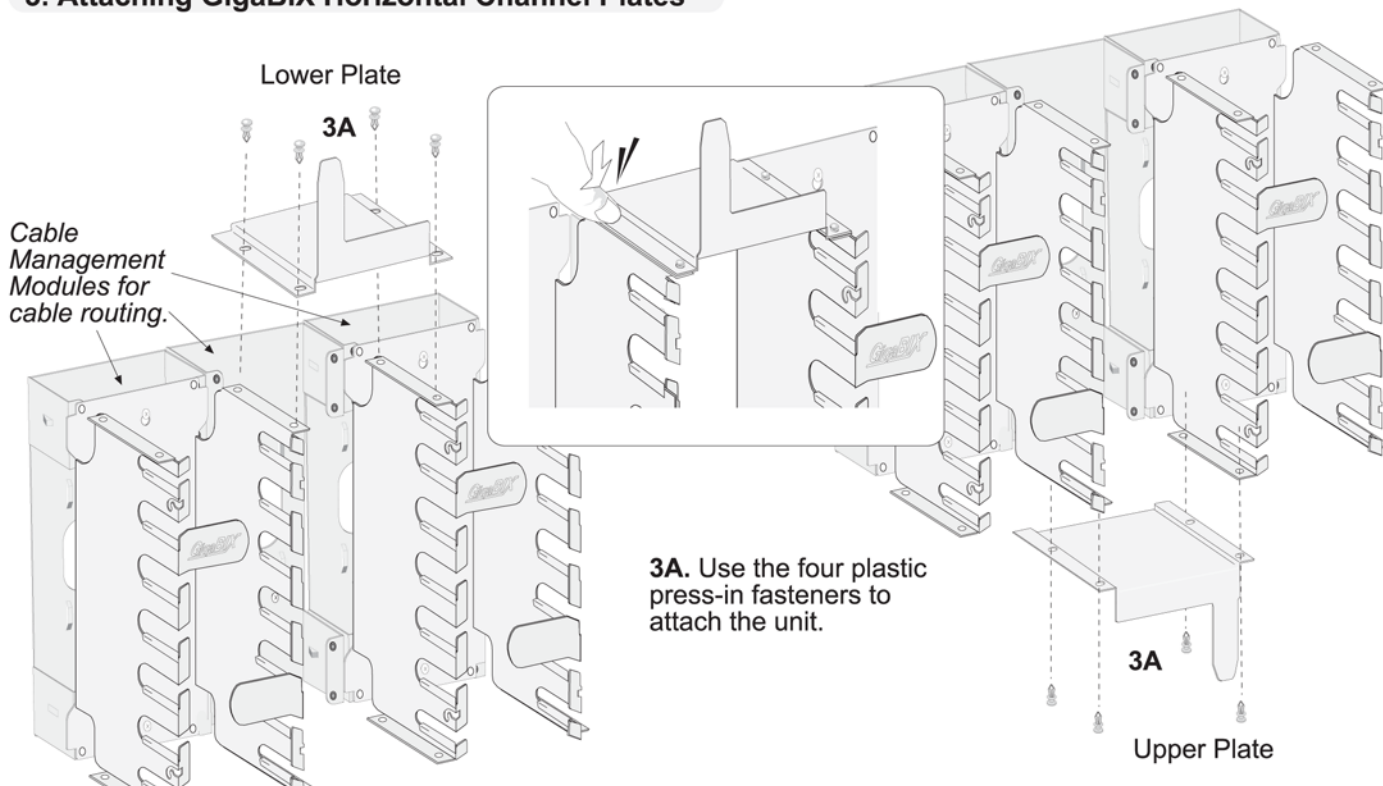
**2A.** One plate is installed **under the flanges** of two upper organizers.

**2B.** The other plate is reversed, and installed **above the flanges** of two lower organizers.

**Note:** Units are always installed in pairs.



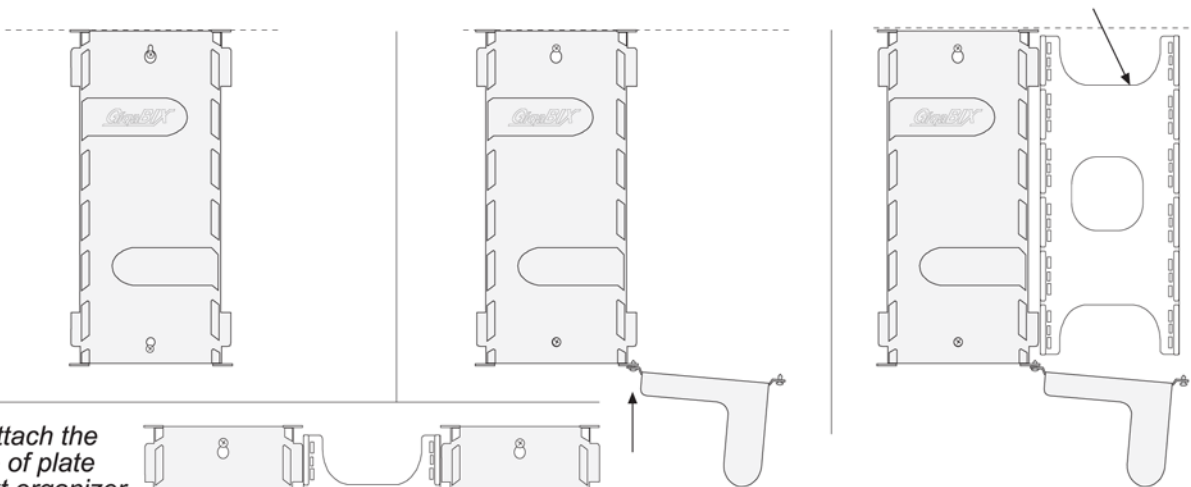
## 3. Attaching GigaBIX Horizontal Channel Plates



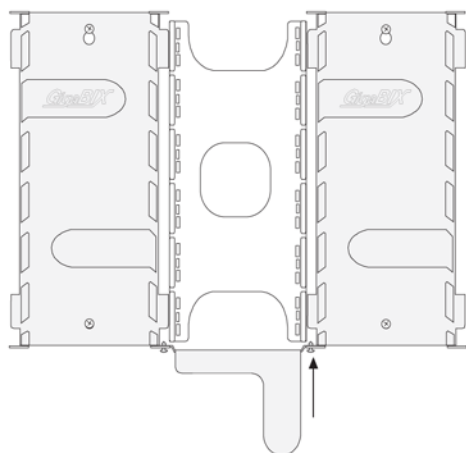
**3A.** Use the four plastic press-in fasteners to attach the unit.

**Installer's Tip for false wall applications:** Attaching Channel Plates to Patch Cord Organizers in the following sequence will assure a correct fit between units.

**Step#1** Align and Install the first organizer.    **Step#2** Attach one side of plate.    **Step#3** Install additional hardware.



**Step#4** Attach the other side of plate to the next organizer and then align and install the organizer to the wall.



For additional technical information on GigaBIX or our other connectivity products, call 1-800-858-7954

Copyright 2008 Belden, Inc.

**BELDEN**  
SENDING ALL THE RIGHT SIGNALS